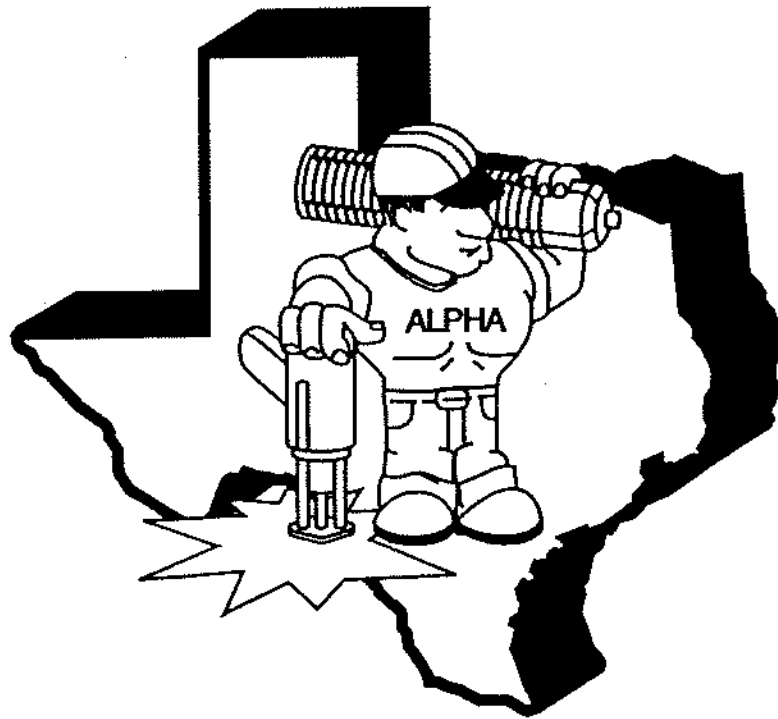


ALPHA STUD WELD

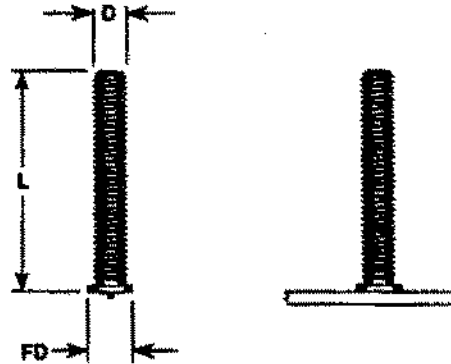


5121 STEADMONT
HOUSTON, TX. 77040

(713)460-5118 FAX: (713)460-8786
NATIONAL WATS (800)468-5118

FLANGED

STUD		
D	FD	MIN L
2-56	.156	.250
4-40	.187	.250
6-32	.218	.250
8-32	.250	.250
10-32	.255	.250
10-24	.255	.250
1/4-20	.325	.375
5/16-18	.390	.500



MATERIAL:	LOW CARBON STEEL C-0.23% Max. P - 0.04% max. Mn - 0.90% max. S - 0.05% max.	STAINLESS STEEL AISI grade - 304/305 std. Other grades available upon request.
MECHANICAL PROPERTIES:	Tensile 60,000 psi (min.) Yield 50,000 psi (min.)	Tensile 85,000 psi (min.) Yield 40,000 psi (min.)
PLATING:	Copper plating is standard.	Does not apply to Stainless.
ANNEALING:	Studs are annealed where required.	Studs are annealed where required.

MATERIAL:	ALUMINUM Alloy — 1100 & 5000 series Other alloys available upon request.	BRASS Alloy — (lead free) 70-30 std. Other alloys available upon request.
MECHANICAL PROPERTIES:	Values for various alloys available upon request	Tensile 70,000 psi (min.) Yield 50,000 psi (min.)

TO ORDER OR SPECIFY GIVE:

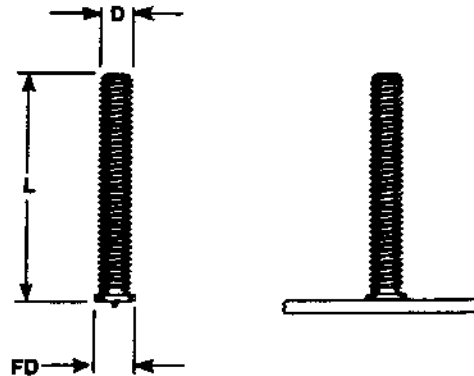
1. Product Code CD F
2. Diameter D
3. Length L
4. Material

ALPHA STUD WELD Inc.

HOUSTON, TX. 77040 713-460-5118 FAX 713-460-8786 800-468-5118

SMALL FLANGED

STUD		
D	FD	MIN L
4-40	.147	.250
6-32	.175	.250
8-32	.200	.250
10-32	.225	.250
10-24	.225	.250
1/4-20	.290	.375
5/16-18	.349	.500



MATERIAL:	LOW CARBON STEEL C-0.23% Max. P - 0.04% max. Mn - 0.90% max. S - 0.05% max.	STAINLESS STEEL AISI grade - 304/305 std. Other grades available upon request.
MECHANICAL PROPERTIES:	Tensile 60,000 psi (min.) Yield 50,000 psi (min.)	Tensile 85,000 psi (min.) Yield 40,000 psi (min.)
PLATING:	Copper plating is standard.	Does not apply to Stainless.
ANNEALING:	Studs are annealed where required.	Studs are annealed where required.

MATERIAL:	ALUMINUM Alloy — 1100 & 5000 series Other alloys available upon request.	BRASS Alloy — (lead free) 70-30 std. Other alloys available upon request.
MECHANICAL PROPERTIES:	Values for various alloys available upon request	Tensile 70,000 psi (min.) Yield 50,000 psi (min.)

- TO ORDER OR SPECIFY GIVE:**
1. Product Code..... **CD SF**
 2. Diameter **D**
 3. Length **L**
 4. Material

ALPHA STUD WELD Inc.

HOUSTON, TX. 77040 713-460-5118 FAX 713-460-8786 800-468-5118

